



# Silencer™

FABRIC SOUND ATTENUATOR

**DUCTSOX®**  
*Textile Air Dispersion Products*

# NOISE CONTROL USING DUCTSOX TECHNOLOGY

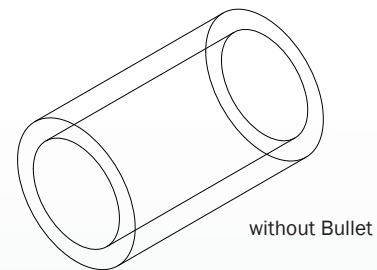
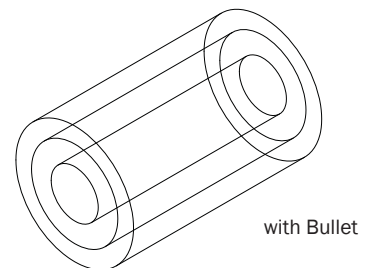
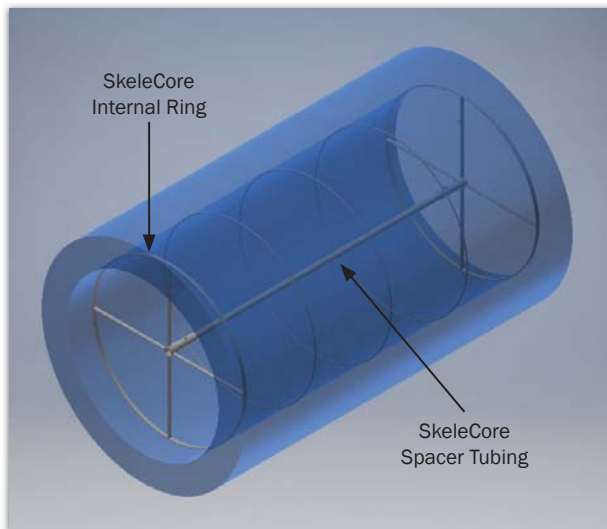
DuctSox continues to be the leader and innovator in the fabric ductwork/diffuser industry. The Silencer™ is a Fabric Sound Attenuator that was developed to address one factor for fabric duct—noise from the air handling unit. Textile air dispersion systems can be designed to be quiet, but noise entering the system from air handling units, volume control dampers, or fan-powered boxes can create an uncomfortably noisy environment.

DuctSox's latest innovation is the first of its kind silencer made out of fabric! The concept utilizes several other innovations, such as our patented SkeleCore Technology for structure. The Silencer can be used in place of a metal silencer or acoustically-lined ducting to absorb or prevent incoming noise from reaching the occupied space.

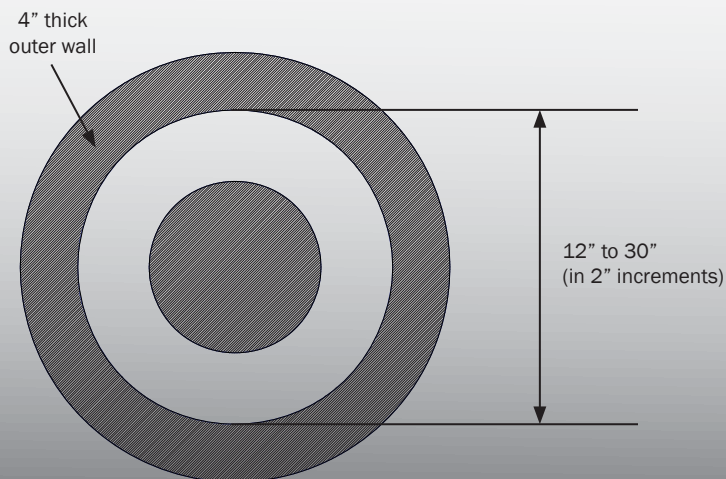
Many applications leave little, or no, mechanical space to place sound attenuators. The Silencer is installed in the occupied space, offering an aesthetically pleasing appearance that can be customized to match your DuctSox System's fabric type and color.

Depending on noise absorption required, the Silencer is available with or without an internal bullet and available in diameters 12" to 30".

- ### APPLICATIONS
- Retail
  - Libraries
  - Office Space
  - Education
  - Lecture Halls
  - Auditoriums
  - Churches
  - Yoga Studios
  - Testing Facilities
  - and more



## AVAILABLE DIAMETERS



## FABRICS

- ▶ Sedona-Xm
- ▶ TuffTex
- ▶ Verona
- ▶ DuraTex
- ▶ Microbe-X
- ▶ Stat-X
- ▶ Rx



*"In general, I was quite impressed by the acoustical performance of the DuctSox silencer. I was not surprised by the excellent insertion loss values, but because of its relatively light weight, I was very surprised to see that the breakout noise was not significant."*

Jerry G. Lilly, P.E., President, FASA  
 JGL Acoustics, Inc,  
 Member INCE, ASTM, NCAC

## GENERAL INFORMATION

Inlet Diameter: 12" to 30"  
 Wall thickness: 4"  
 Length: Varies based on diameter  
 Weight (lbs): Varies based on diameter  
 Materials: UL-Classified DuctSox fabric, rock wool, and specialized fabric interior

Material meets the flame and smoke development of NFPA 90 – of < than 25 flame and < 50 smoke development when tested in accordance with ASTM E84.

The laboratory method used in conducting sound testing in accordance with ASTM Standard E477-2013 (standard test method for laboratory measurements of acoustical and airflow performance of duct liner materials and pre-fabricated silencers). Sound pressure level data was obtained using a Brüel and Kjaer Pulse Analyzer.

## GREEN CONSIDERATIONS

May contribute to LEED points as described in *LEED v4 Reference Guide for Buildings and Construction*.

- Indoor Environmental Quality Prerequisite  
 Minimum Acoustic Performance  
 Applicable to:  
 Schools
- Indoor Environmental Quality Credit  
 Acoustic Performance  
 Applicable to:  
 New Construction (1 point)  
 Schools (1 point)  
 Data Centers (1 point)  
 Warehouses and Distribution Centers (1 point)  
 Hospitality (1 point)  
 Healthcare (1–2 points)

## PERFORMANCE

The performance data listed below is for our standard 24" sized Silencer Fabric Sound Attenuator with Bullet. For data on other sizes (with or without Bullets), go to our Media Library on [www.ductsox.com](http://www.ductsox.com).

Direction: Forward Flow (+)

Dynamic Insertion Loss (dB)

Velocity (FPM)	Octave Band Center Frequency (Hz)							
	63	125	250	500	1000	2000	4000	8000
1500	4	8	13	23	34	36	25	18
750	4	8	13	24	35	36	25	18
0	5	9	14	25	36	36	24	17

Generated Noise  $L_w$  (dB;  $10^{-12}$  Watts)

Velocity (FPM)	Octave Band Center Frequency (Hz)							
	63	125	250	500	1000	2000	4000	8000
1500	66	56	51	47	44	39	35	30
750	59	44	38	32	28	24	< 20	< 20

FPM	Static Pressure Drop
1500	0.14 iwg
750	0.03 iwg

## WARRANTY

The DuctSox Silencer Fabric Sound Attenuator comes with a 5 year warranty.



9866 Kapp Court, Peosta, IA 52068  
Ph: 563-588-5300 • Toll Free: 866-382-8769 • Fax: 563-588-5330

[www.ductsox.com](http://www.ductsox.com)



To find a DuctSox representative, please scan.