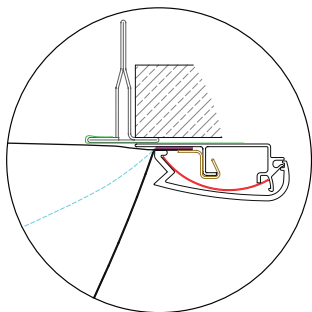


Note: All Metric dimensions () are converted from imperial dimensions and rounded to the nearest millimeter.
"A" and "C" dimensions are references to center of mounting location for supporting track.

*Standard inlet size, alternate sizes available.

Attachment: (Select one.)

T-Bar



Finished Ceiling

