

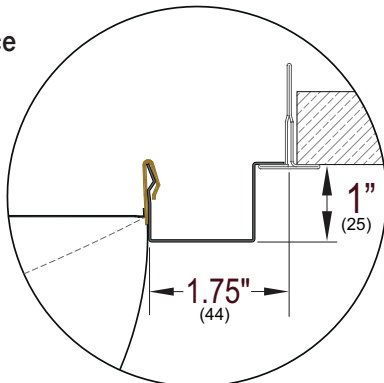
	Module Size	A	B	C	D	E	F
Clip Face	24 x 24	23-7/8"	20-1/2"	23-7/8"	20-1/2"	12"	7-1/2"
		(606)	(521)	(606)	(521)	(305)	(191)
	24 x 48	47-7/8"	44-1/2"	23-7/8"	20-1/2"	14"	7-1/2"
		(1216)	(1130)	(606)	(521)	(356)	(191)
Snap Frame	24 x 24	23-7/8"	20-1/2"	23-7/8"	20-1/2"	12"	6-1/2"
		(606)	(521)	(606)	(521)	(305)	(165)
	24 x 48	47-7/8"	44-1/2"	23-7/8"	20-1/2"	14"	6-1/2"
		(1216)	(1130)	(606)	(521)	(356)	(165)

Note: All Metric dimensions () are converted from imperial dimensions and rounded to the nearest millimeter.
 "A" and "C" dimensions are references to center of mounting location for supporting track.

*Standard inlet size, alternate sizes available.

Mounting Style: (Select one.)

Clip Face



Snap Frame

