

FEATURES

- **360° Airflow Coverage**
Not limited the traditional 4 or 6 sides
- **Available with Two Throw Lengths**
Throws length equal to typical drum diffusers for extended distances
- **Flat or 30° Angle Diffusion Options**
- **Round or Square Top Inlet**
Square top inlets have edge seal to prevent leakage
- **Stainless Steel Options Available for Caustic Environments**
- **Variety of Fabric Offerings Include:**
Anti-Microbial
Custom Colors & Patterns



SPECIFICATIONS

WEAVE:	Fire Retardant Polyester Filament/Filament Twill
WEIGHT:	6.8oz/yd ² (231g/m ²)
POROSITY:	2 CFM/ft ² at 0.5" w.g. (10.2L/s/m ² @125Pa)

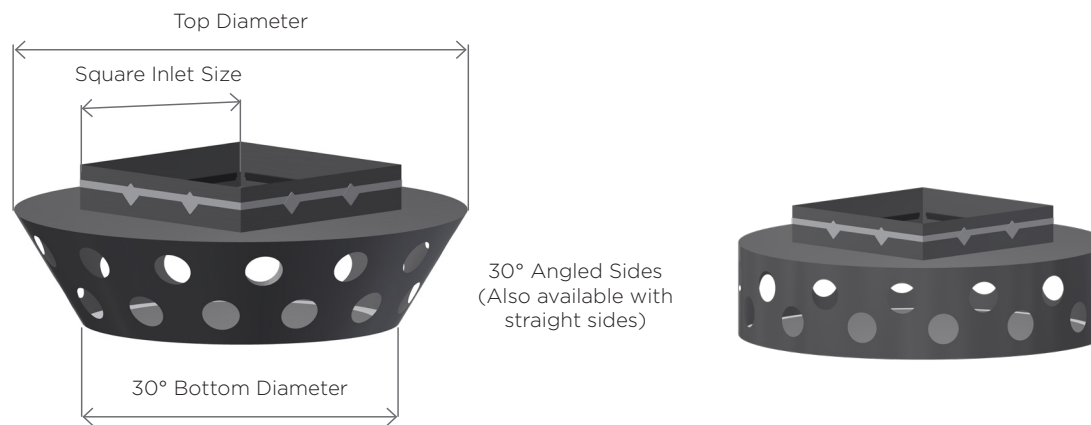
CODES:

- Classified by Underwriters Laboratories in accordance with the requirements of:
 - NFPA 90A
 - UL 2518
- UL-C (Canada)
- BS 5867 Part 2, 1980
- GB 8624-2006
- DIN 4102-1



GENERAL INFORMATION

Size (ton)	Nominal CFM at 0.5in SP	Sq. Inlet Size (in)	Top Dia. (in)	Depth (in)	30° Bottom Dia. (in)	Throw Options	0.5in SP			NC Level
							150 fpm (ft)	100 fpm (ft)	50 fpm (ft)	
50	20,000	54	94	20	70	Regular Throw	38	57	91	70
						Extended Throw	61	91	146	
40	16,000	48	86	20	62	Regular Throw	38	57	91	63
						Extended Throw	61	91	146	
30	12,000	42	78	15	60	Regular Throw	38	57	91	56
						Extended Throw	61	91	146	
25	10,000	38	72	15	54	Regular Throw	38	57	91	51
						Extended Throw	61	91	146	
20	8,000	34	66	15	48	Regular Throw	38	57	91	46
						Extended Throw	61	91	146	
15	6,000	30	60	15	42	Regular Throw	38	57	91	43
						Extended Throw	61	91	146	
10	4,000	24	52	15	34	Regular Throw	34	51	82	40
						Extended Throw	53	80	128	
5	2,000	18	44	15	26	Regular Throw	19	28	45	37
						Extended Throw	28	43	69	



Patent: www.ductsox.com/patents

DuctSox Corporation
4343 Chavenelle Road
Dubuque, IA 52002

Phone: 563-588-5300
Toll-free: 866-382-8769
Fax: 563-588-5330

ductsox.com

DUCTSOX[®]
Redefining Air Dispersion