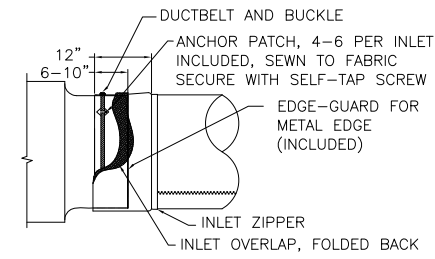
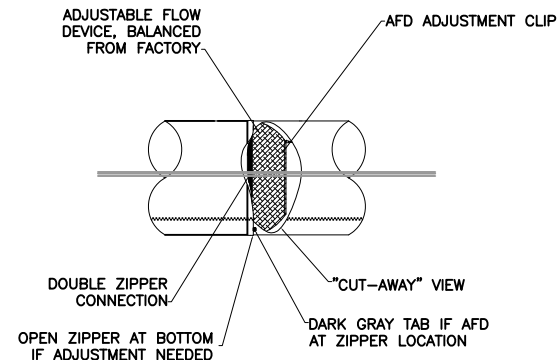


# INLET DETAIL



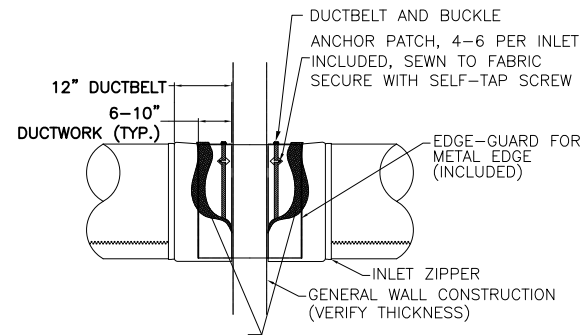
**INLET ATTACHMENT DETAIL**  
CONSTRUCTION WITH ZIPPER AND OVERLAP

# COMPONENTS

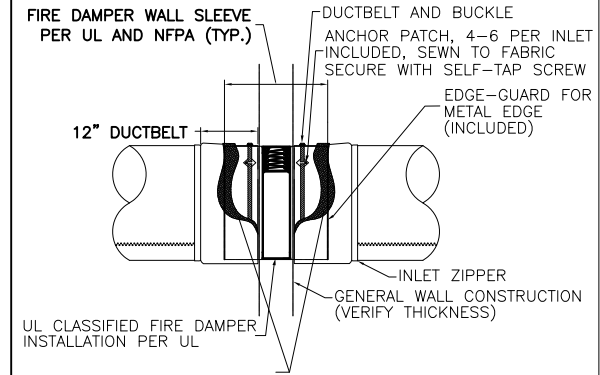


**ADJUSTABLE FLOW DEVICE (AFD)**  
INSTALLED AT ZIPPER LOCATION AT INLET OR AS SPECIFIED IN OTHER LOCATIONS. ZIPPER TO ZIPPER CONNECTION AS SHOWN. EXTERNAL LABEL IDENTIFIES LOCATION

# WALL DETAILS

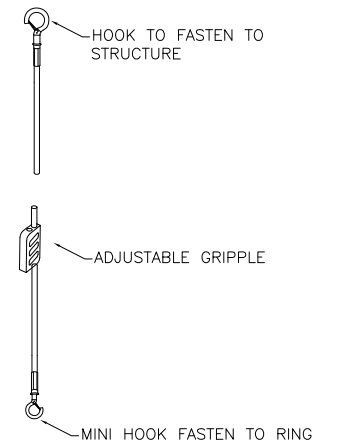


**DUCTSOX PENETRATION AT WALL**  
TUFTEX TYPE WITH ZIPPER AND OVERLAP

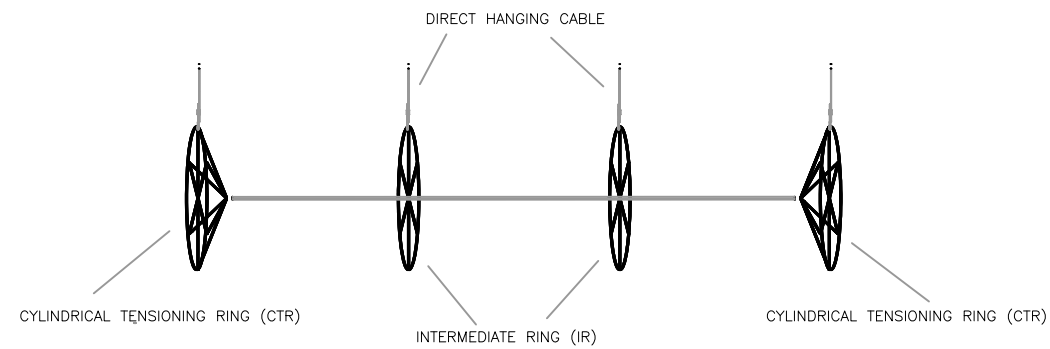


**DUCTSOX INSTALLATION AT FIRE DAMPER**  
TUFTEX TYPE WITH ZIPPER AND OVERLAP

# FTS SUPPORT

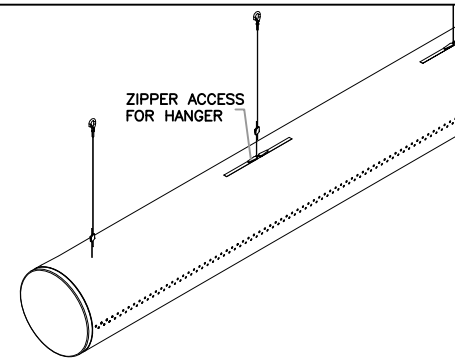


# SKELECORE FTS (FABRIC TENSIONING SYSTEM)



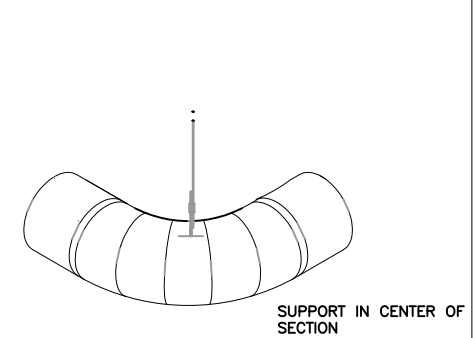
**SUSPENSION DETAIL**  
SKELECORE FABRIC TENSIONING SYSTEM DETAIL

# STRAIGHT



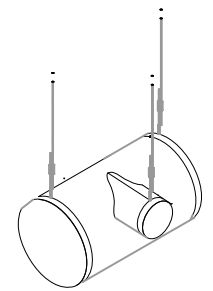
**SUSPENSION DETAIL**  
STRAIGHT SECTION SKELECORE FTS

# ELBOW



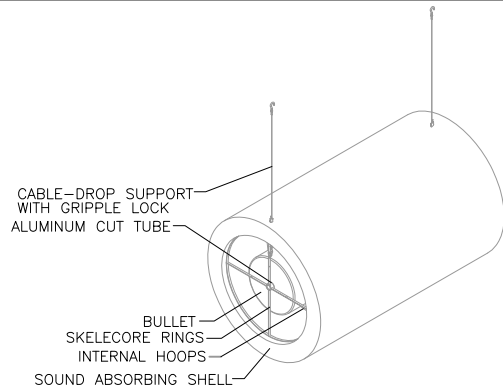
**SUSPENSION DETAIL**  
RADIUS SKELECORE FTS ELBOW

# TEE

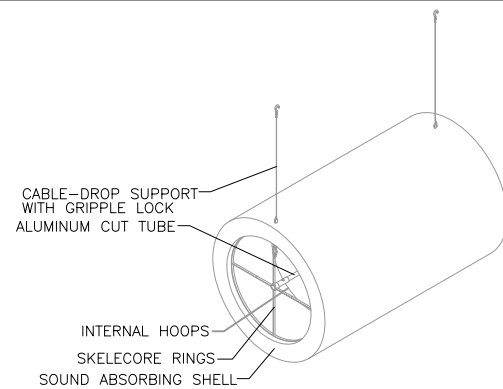


**SUSPENSION DETAIL**  
FLAT ON TOP TEE

# DUCTSOX SOUND ATTENUATOR



**DUCTSOX SOUND ATTENUATOR WITH BULLET**  
HANGER SUPPORTS DUCTSOX AT 12 O'CLOCK  
AVAILABLE IN 12" TO 30" DIAMETER



**DUCTSOX SOUND ATTENUATOR W/O BULLET**  
HANGER SUPPORTS DUCTSOX AT 12 O'CLOCK  
AVAILABLE IN 12" TO 30" DIAMETER