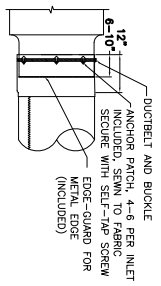
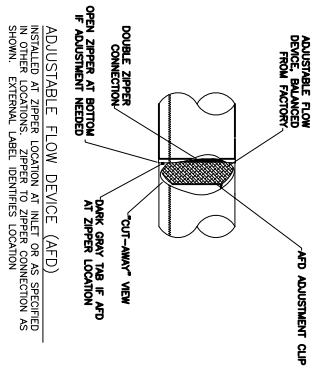


# INLET DETAIL



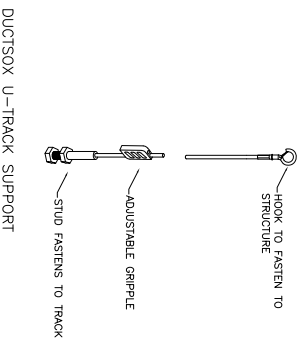
INLET ATTACHMENT DETAIL

# COMPONENTS

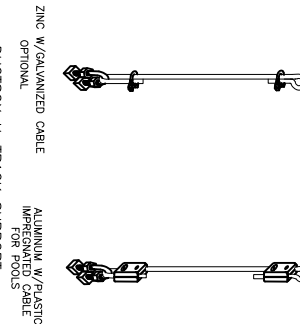


ADJUSTABLE FLOW DEVICE BALANCED FROM FACTORY  
ADJUSTABLE FLOW DEVICE (AFD)  
INSTALLED AT ZIPPER LOCATION AT INLET OR AS SPECIFIED IN OTHER LOCATIONS. ZIPPER TO ZIPPER CONNECTION AS SHOWN. EXTERNAL LABEL IDENTIFIES LOCATION

# TRACK SUPPORT

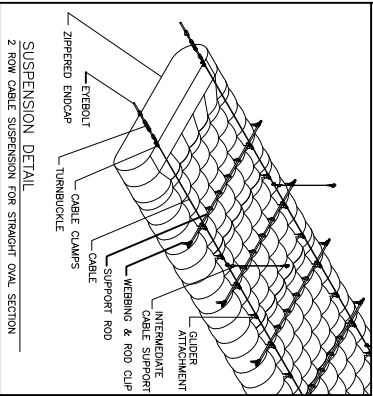


DUCTSOX U-TRACK SUPPORT

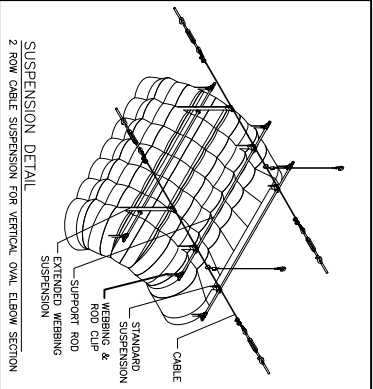


ZINC W/GALVANIZED CABLE  
OPTIONAL  
ALUMINUM W/PLASTIC IMPREGNATED CABLE FOR POOLS  
DUCTSOX U-TRACK SUPPORT

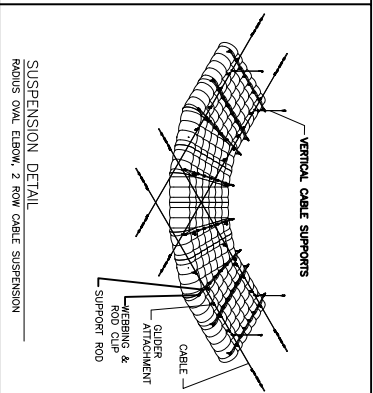
# OVALSOX WITH CABLE



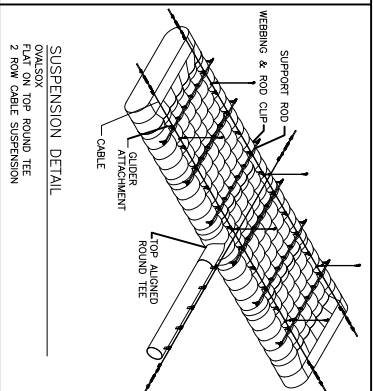
SUSPENSION DETAIL  
2 ROW CABLE SUSPENSION FOR STRAIGHT OVAL SECTION



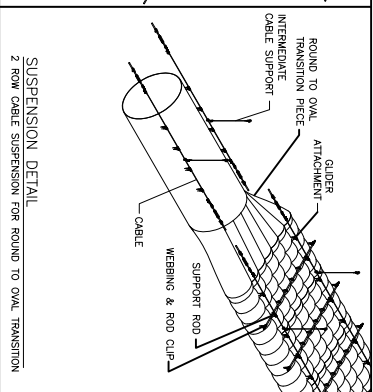
SUSPENSION DETAIL  
2 ROW CABLE SUSPENSION FOR VERTICAL OVAL ELBOW SECTION



SUSPENSION DETAIL  
RADIUS OVAL ELBOW, 2 ROW CABLE SUSPENSION

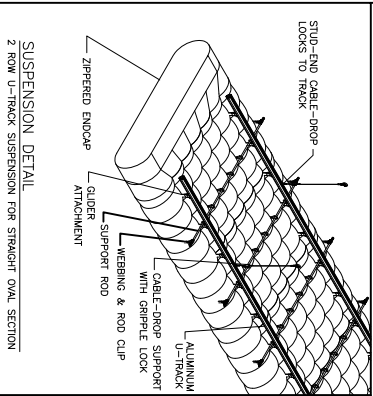


SUSPENSION DETAIL  
OVALSOX TOP ROUND TEE  
2 ROW CABLE SUSPENSION

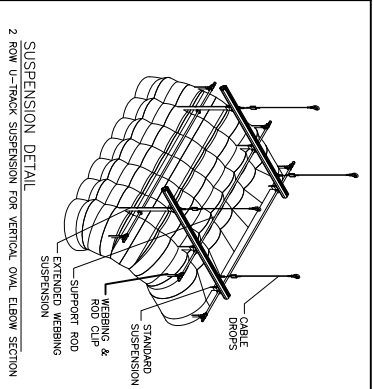


SUSPENSION DETAIL  
2 ROW CABLE SUSPENSION FOR ROUND TO OVAL TRANSITION

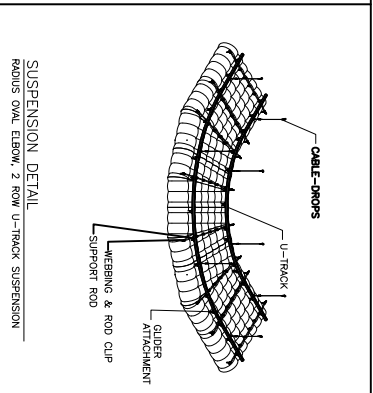
# OVALSOX WITH U-TRACK



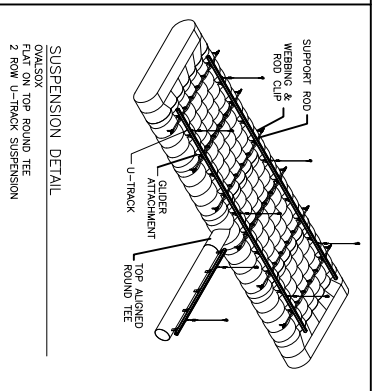
SUSPENSION DETAIL  
2 ROW U-TRACK SUSPENSION FOR STRAIGHT OVAL SECTION



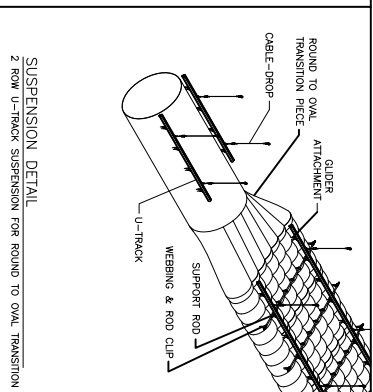
SUSPENSION DETAIL  
2 ROW U-TRACK SUSPENSION FOR VERTICAL OVAL ELBOW SECTION



SUSPENSION DETAIL  
RADIUS OVAL ELBOW, 2 ROW U-TRACK SUSPENSION



SUSPENSION DETAIL  
OVALSOX TOP ROUND TEE  
2 ROW U-TRACK SUSPENSION



SUSPENSION DETAIL  
2 ROW U-TRACK SUSPENSION FOR ROUND TO OVAL TRANSITION